

JOINT BAR

FASTENINGS



Pandrol offers a variety of clips specifically designed for use at track joints, where joint bars interfere with standard Pandrol clips.

The modified 'e' clip will accommodate joint bars where sufficient rail foot area is exposed (drawing on back). The modified 'e' clip installs easily and provides a high clamping force.

The "J" clip is manufactured in several variations to accommodate most currently available joint bars.

The Pandrol "C" clip is a specially designed unit of 20 mm spring steel that can be used at most standard or insulated rail joints on wood or concrete ties. The low profile assembly, consisting of a "C" clip and pressed steel toe plate, provides vertical rail resistance and stabilizes track joints.

The "C" clip is easily installed and is designed for right or left hand installations to avoid interference with joint bolts.

 **PANDROL**

TRACK SYSTEMS

© DELACHAUX GROUP

JOINT BAR FASTENINGS

SPECIFICATIONS:

"C" Clip

- Designed for use with standard and insulated joints
- Made from high quality spring steel alloy
- Bar Diameter: 20 mm
- Approximate Shipping Weight: 1.5 lbs.
- Normally packed 25 per bag, sold as an assembly – enough for one rail seat

"C" Plate

- Made from 7/16th" mild steel
- Approximate Shipping Weight: 1.6 lbs.
- Normally packed 25 per bag
- Designed to fit on the toe of the joint bar

SPECIFICATIONS:

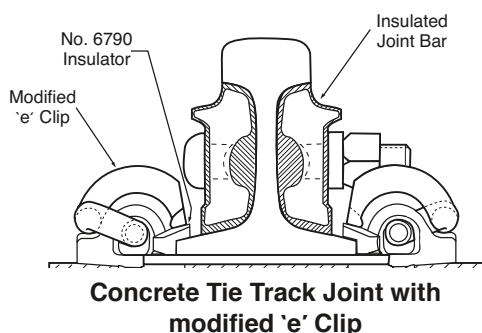
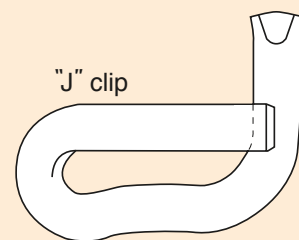
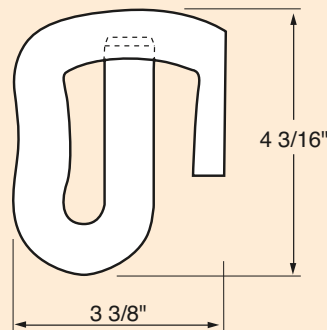
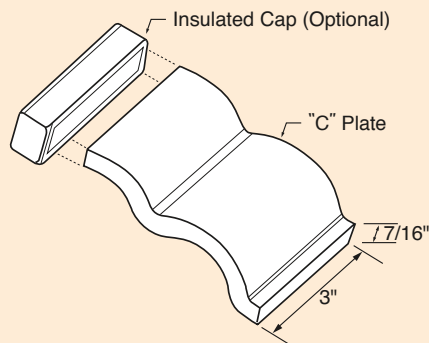
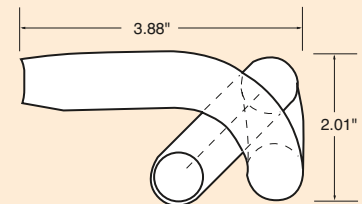
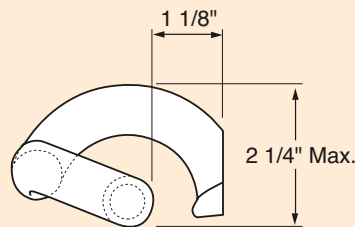
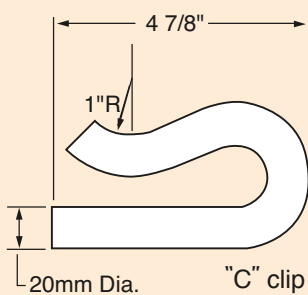
'e' 2063

- Made from high quality spring steel bar stock
- Bar Diameter: 20 mm ('e' 2000 series)
- Approximate Shipping Weight: 1.6 lbs.
- Normally packed 25 per bag

SPECIFICATIONS:

"J" Clip

- Made from high quality spring steel bar stock
- Bar Diameter: 20 mm
- Approximate Shipping Weight: 1.7 lbs.
- Normally packed 25 per bag



© DELACHAUX GROUP

Pandrol USA, LP
501 Sharptown Road
P.O. Box 367
Bridgeport, NJ 08014
(856) 467-3227
(800) 221-CLIP



Learn More >

www.pandrolusa.com

